

Section Properties

Untopped

A	=	344 in. <sup>2</sup>
I	=	9300 in. <sup>4</sup>
Y <sub>b</sub>	=	13.27 in.
Y <sub>t</sub>	=	4.73 in.
Z <sub>b</sub>	=	701 in. <sup>3</sup>
Z <sub>t</sub>	=	1966 in. <sup>3</sup>
wt	=	358 plf
		45 psf
V/S	=	1.32 in.

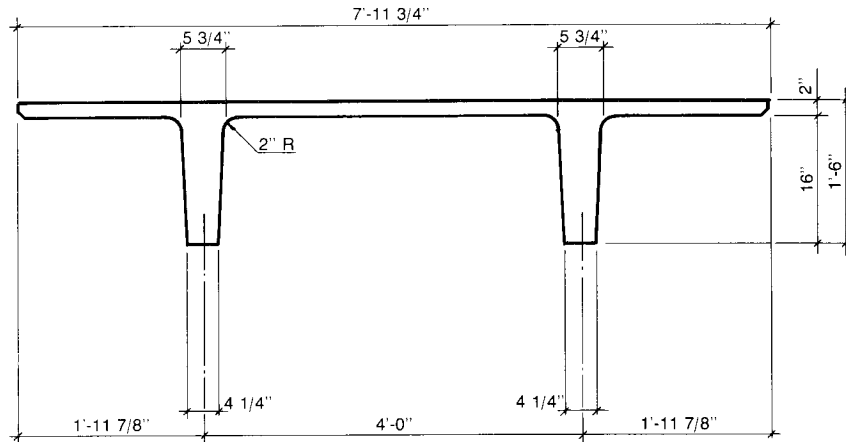


Table of safe superimposed service load (psf)

no topping

strand pattern	span ft.																						
	16	18	20	22	24	26	28	30	32	34	36	38	40	42	44	46	48	50	52	54	56	58	
2 - S	185	143	109	84	65	50	38																
4 - S			185	150	123	101	83	69	57	47	39	31											
6 - S				183	150	125	104	87	73	62	52	43	36										
6 - D					172	145	123	105	90	77	66	57	49	41	35								
8 - D										107	93	81	71	62	54	47	41	35					
10 - D																			61	53	46	40	34

Section Properties

Topped

A	=	—
I	=	12,749 in. <sup>4</sup>
Y <sub>b</sub>	=	15.00 in.
Y <sub>t</sub>	=	5.00 in.
Z <sub>b</sub>	=	850 in. <sup>3</sup>
Z <sub>t</sub>	=	2550 in. <sup>3</sup>
wt	=	558 plf
		70 psf
V/S	=	—

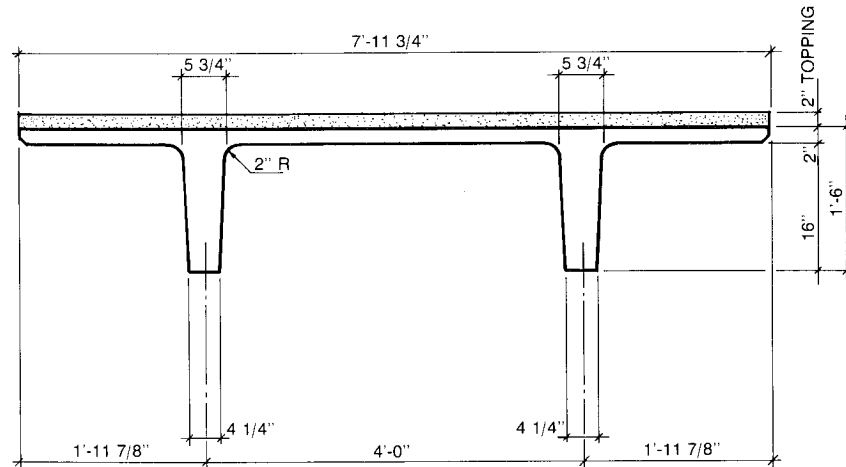


Table of safe superimposed service load (psf)

2'' concrete topping

strand pattern	span ft.															
	16	18	20	22	24	26	28	30	32	34	36	38	40	42	44	46
2 - S	192	144	106	78	57	41										
4 - S			192	153	122	98	78	62	49	37						
6 - S				196	159	130	106	86	70	57						
6 - D					177	147	123	103	86	71	59	48				
8 - D										105	90	75	61	48		

**Bold type** — Capacity governed by stresses, others governed by flexural strength  
 Values below heavy line require release strengths higher than 3500 psi.

D - DEPRESSED STRANDS  
 S - STRAIGHT STRANDS

Section Properties

Untopped

A	=	401 in. <sup>2</sup>
I	=	20,985 in. <sup>4</sup>
Y <sub>b</sub>	=	17.15 in.
Y <sub>t</sub>	=	6.85 in.
Z <sub>b</sub>	=	1224 in. <sup>3</sup>
Z <sub>t</sub>	=	3063 in. <sup>3</sup>
wt	=	418 plf
		52 psf
V/S	=	1.41 in.

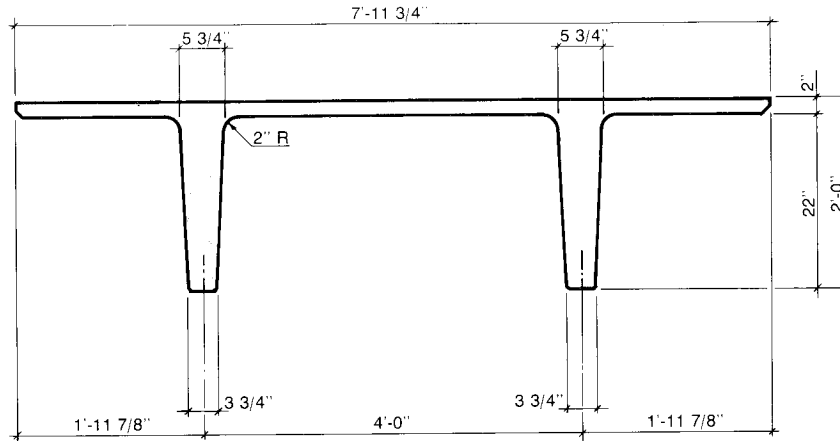


Table of safe superimposed service load (psf)

no topping

strand pattern	span ft.																						
	30	32	34	36	38	40	42	44	46	48	50	52	54	56	58	60	62	64	66	68	70	72	74
6 - S	171	145	124	106	91	78	67	57	49	41	35												
8 - S		176	152	131	113	98	85	74	64	56	48	41											
8 - D			187	163	143	126	111	98	87	77	68	60	53	47	41	36							
10 - D						142	127	113	101	90	81	72	64	57	51	45	40						
12 - D												81	72	65	57	51	45	39					
14 - D																			55	49	44	38	

Section Properties

Topped

A	=	—
I	=	27,720 in. <sup>4</sup>
Y <sub>b</sub>	=	19.27 in.
Y <sub>t</sub>	=	6.73 in.
Z <sub>b</sub>	=	1438 in. <sup>3</sup>
Z <sub>t</sub>	=	4119 in. <sup>3</sup>
wt	=	618 plf
		77 psf
V/S	=	—

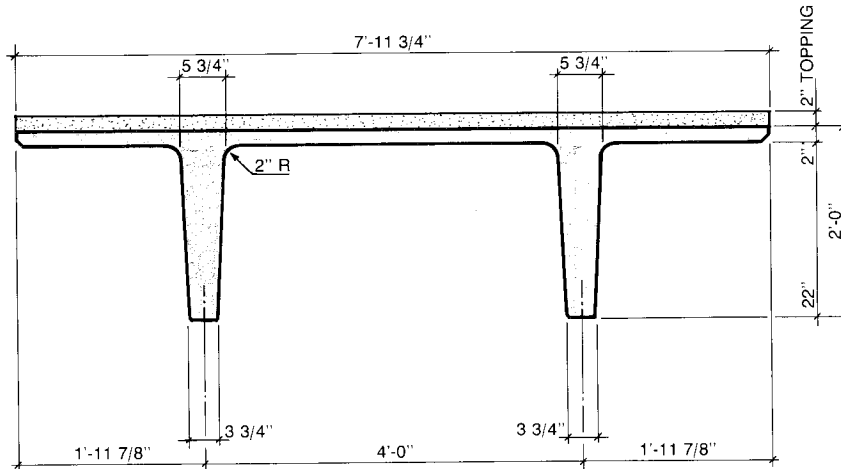


Table of safe superimposed service load (psf)

2" concrete topping

strand pattern	span ft.																					
	26	28	30	32	34	36	38	40	42	44	46	48	50	52	54	56	58	60				
4 - S	180	147	120	98	80	65	52	41														
6 - S		171	143	120	100	84	70	58	47													
6 - D			180	153	130	110	93	79	67	56	46											
8 - D				186	161	139	121	105	91	78	67	58										
10 - D							139	122	107	94	82	70	59	49								
12 - D															66	56						

**Bold type** — Capacity governed by stresses, others governed by flexural strength  
 Values below heavy line require release strengths higher than 3500 psi.

D - DEPRESSED STRANDS  
 S - STRAIGHT STRANDS

Section Properties

Untopped

A	=	570.4 in. <sup>2</sup>
I	=	41,193 in. <sup>4</sup>
Y <sub>b</sub>	=	19.22 in.
Y <sub>t</sub>	=	8.78 in.
Z <sub>b</sub>	=	2143.3 in. <sup>3</sup>
Z <sub>t</sub>	=	4691.5 in. <sup>3</sup>
wt	=	594 plf
		74 psf
V/S	=	1.91 in.

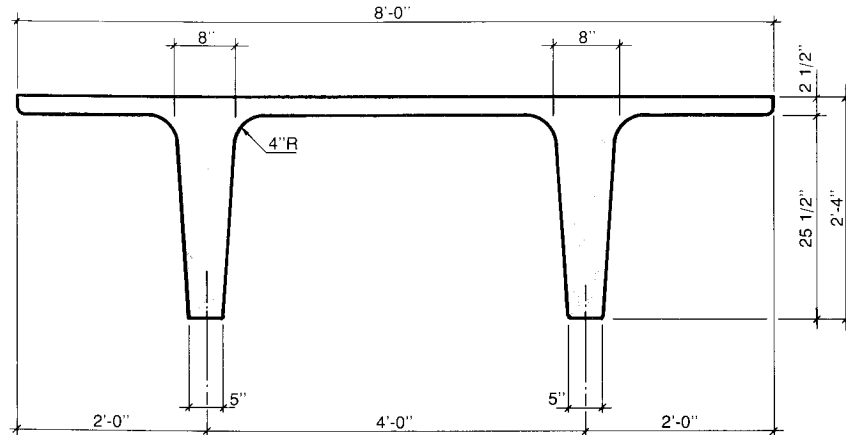


Table of safe superimposed service load (psf)

no topping

strand pattern	span ft.															
	32	36	40	44	48	52	56	60	64	68	72	76	80	84	88	92
6D	205	149	110	80	58	40										
10D		212	165	129	101	79	61	46								
14D			240	192	155	125	101	81	65	52	40					
18D					164	135	111	92	75	61	49					
22D								97	81	67	55	45				
26D										84	71	59	49			

Section Properties

Topped

A	=	—
I	=	52,526 in. <sup>4</sup>
Y <sub>b</sub>	=	21.24 in.
Y <sub>t</sub>	=	8.76 in.
Z <sub>b</sub>	=	2472.7 in. <sup>3</sup>
Z <sub>t</sub>	=	5997.8 in. <sup>3</sup>
wt	=	794 plf
		99 psf
V/S	=	—

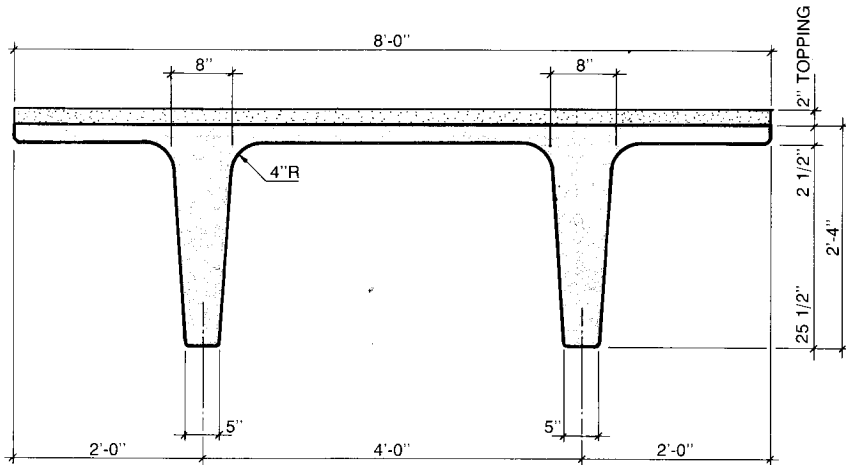


Table of safe superimposed service load (psf)

2" concrete topping

strand pattern	span ft.															
	32	36	40	44	48	52	56	60	64	68	72	76	80	84		
6D	200	141	98	67	43											
10D		206	153	112	81	57										
14D			234	183	144	113	87	67	50							
18D					154	123	98	78	60							
22D								83	66	52						
26D										70	56					

**Bold type** — Capacity governed by stresses, others governed by flexural strength  
 Values below heavy line require release strengths higher than 3500 psi.

D - DEPRESSED STRANDS  
 S - STRAIGHT STRANDS

Section Properties

Untopped

A	=	608.2 in. <sup>2</sup>
I	=	57,142 in. <sup>4</sup>
Y <sub>b</sub>	=	21.9 in.
Y <sub>t</sub>	=	10.09 in.
Z <sub>b</sub>	=	2608.8 in. <sup>3</sup>
Z <sub>t</sub>	=	5659.7 in. <sup>3</sup>
wt	=	633 plf
		79 psf
V/S	=	1.93 in.

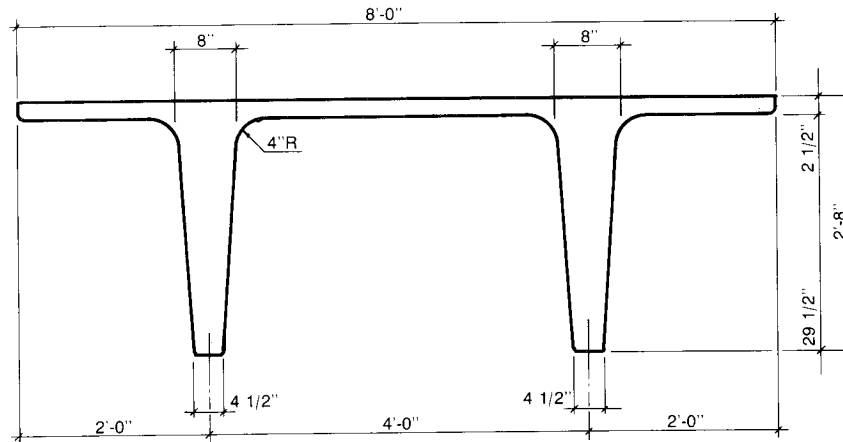


Table of safe superimposed service load (psf)

no topping

strand pattern	span ft.															
	36	40	44	48	52	56	60	64	68	72	76	80	84	88	92	96
6D	179	133	99	72	52	36										
10D		253	198	156	123	97	77	59	45							
14D			232	188	153	125	102	83	67	54	42					
18D				167	139	116	96	80	66	54	43					
22D							123	104	88	73	61	50				
26D									92	78	66	55				

Section Properties

Topped

A	=	—
I	=	71,906 in. <sup>4</sup>
Y <sub>b</sub>	=	24.08 in.
Y <sub>t</sub>	=	9.92 in.
Z <sub>b</sub>	=	2985.6 in. <sup>3</sup>
Z <sub>t</sub>	=	7251.5 in. <sup>3</sup>
wt	=	833 plf
		1.04 psf
V/S	=	—

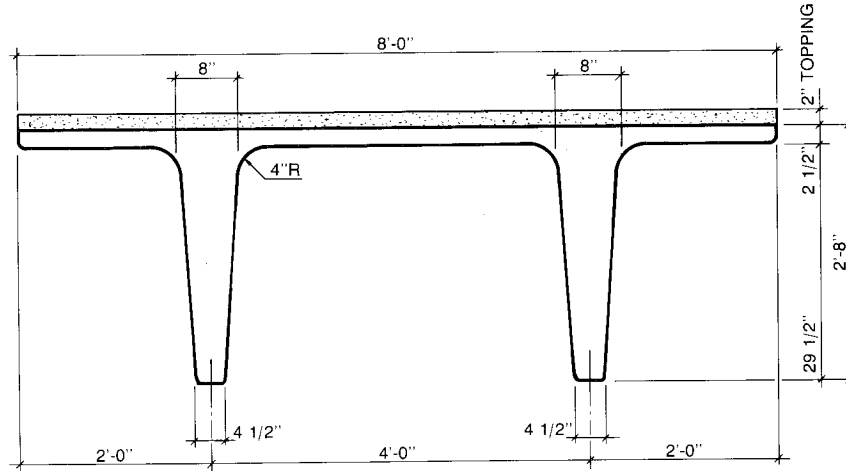


Table of safe superimposed service load (psf)

2" concrete topping

strand pattern	span ft.															
	36	40	44	48	52	56	60	64	68	72	76	80	84	88	92	
6D	171	122	85	58												
10D		247	189	145	111	83	62									
14D			223	177	141	112	88	68	51							
18D				155	126	101	81	64	49							
22D							109	89	72	57						
26D									77	62						

**Bold type** — Capacity governed by stresses, others governed by flexural strength  
 Values below heavy line require release strengths higher than 3500 psi.

D - DEPRESSED STRANDS  
 S - STRAIGHT STRANDS

Section Properties

Untopped

A	=	642 in. <sup>2</sup>
I	=	75,471 in. <sup>4</sup>
Y <sub>b</sub>	=	24.64 in.
Y <sub>t</sub>	=	11.36 in.
Z <sub>b</sub>	=	3062 in. <sup>3</sup>
Z <sub>t</sub>	=	6646 in. <sup>3</sup>
wt	=	669 plf
		83.6 psf
V/S	=	1.94 in.

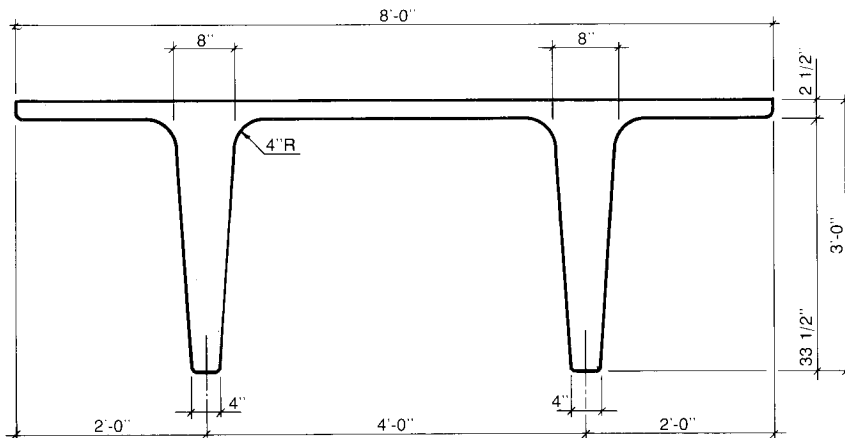


Table of safe superimposed service load (psf)

no topping

strand pattern	span ft.																	
	36	40	44	48	52	56	60	64	68	72	76	80	84	88	92	96	100	104
6D	209	156	117	88	65	46												
10D		231	184	146	117	93	73	57	44									
14D			222	182	149	123	101	83	67	54	43							
18D				199	167	140	118	99	82	68	56	46						
22D					127	108	92	78	65	54								
26D						98	84	72	61	51								

Section Properties

Topped

A	=	—
I	=	93,954 in. <sup>4</sup>
Y <sub>b</sub>	=	26.97 in.
Y <sub>t</sub>	=	11.03 in.
Z <sub>b</sub>	=	3483.9 in. <sup>3</sup>
Z <sub>t</sub>	=	8516.7 in. <sup>3</sup>
wt	=	869 plf
		108.6 psf
V/S	=	—

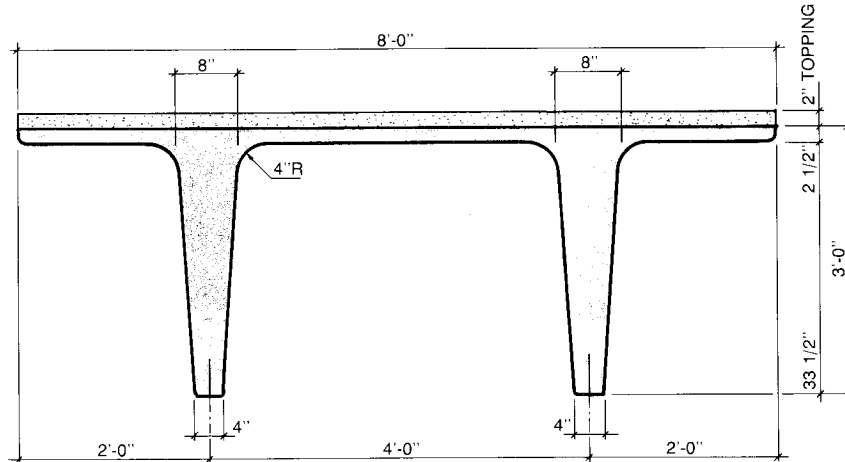


Table of safe superimposed service load (psf)

2" concrete topping

strand pattern	span ft.																	
	36	40	44	48	52	56	60	64	68	72	76	80	84	88	92	96		
6D	201	145	104	73	49													
10D		223	173	134	103	78	57											
14D			211	169	136	108	84	64	47									
18D				187	153	126	102	83	66	51								
22D					112	92	75	61										
26D						82	67	54										

**Bold type** — Capacity governed by stresses, others governed by flexural strength  
 Values below heavy line require release strengths higher than 3500 psi.

D - DEPRESSED STRANDS  
 S - STRAIGHT STRANDS